



Article no.: M-1213

Product data:
**Behälter 11.000 Liter aus V2A,
gebraucht, einwandig,
Standing**

EUR 5.200,00
zzgl. 19 % MwSt. excl. shipping
in stock: 1

Behälter 11.000 Liter aus V2A, gebraucht, einwandig consists of the material 1.4301(AISI304) V2A. The volume is approx. 11,000 litres.

Behälter 11.000 Liter aus V2A, gebraucht, einwandig was last used in the following area: Foodstuffs.

1 pieces of Behälter 11.000 Liter aus V2A, gebraucht, einwandig is/are currently still available. Delivery can take place worldwide.

Product description

General

Material in contact with product 1.4301(AISI304) V2A

Volume approx. 11,000 litres

Structure Standing

DIN design unknown

Year of manufacture 1978

Manufacturer Schwarz

Condition Used

Dimensions approx.

External diameter 2100 mm

Cyl. height 3150 mm

Foot height 650 mm

Total height 4200 mm

Design

Insulation No

Interior surface Smoothed

Exterior surface Marbled

Floor type Torispherical bottom

Head design Torispherical bottom

Product chamber operating pressure Atmospheric/unpressurised

Equipment

Temperature-controllable No

Agitator

Agitator unavailable

Supports

Supports Stainless steel feet
Number of feet 3 (piece)

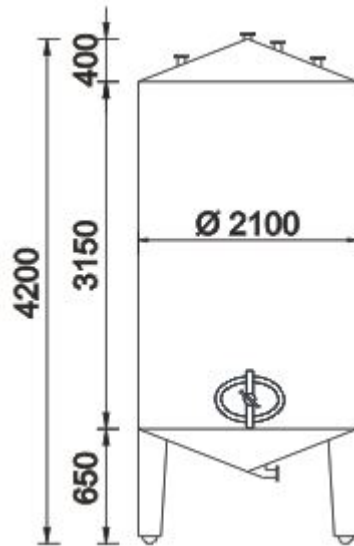
Fixtures and fittings

Manway position In shell
Nozzles/connectors in head 4 (piece)
Outlet nozzle 50
Fixtures and fittings
Additional fixtures and fittings

Other notices

Note leichte Druckstellen im Mantelbereich
Last usage Foodstuffs

Pictures



Terms and conditions

The general terms and conditions of Georg Heuer Behälterhandel und Industriebedarf GmbH apply. [View here.](#)