



Article no.: M-1418

Product data:
**Behälter 5.980 Liter aus V2A, gebraucht,
temperierbar, isoliert,
Standing**

EUR 10.500,00
zzgl. 19 % MwSt. excl. shipping
in stock: 1

Behälter 5.980 Liter aus V2A, gebraucht, temperierbar, isoliert consists of the material 1.4301(AISI304) V2A. The volume is approx. 5,980 litres. The diameter inside includes 2270 mm.

Behälter 5.980 Liter aus V2A, gebraucht, temperierbar, isoliert was last used in the following area: Chemistry.
1 pieces of Behälter 5.980 Liter aus V2A, gebraucht, temperierbar, isoliert is/are currently still available. Delivery can take place worldwide.

Product description

General

Material in contact with product 1.4301(AISI304) V2A

Volume approx. 5,980 litres

Structure Standing

DIN design unknown

Condition Used

Dimensions approx.

Internal diameter 2270 mm
External diameter 2430 mm
Cyl. height 1300 mm
Foot height 660 mm
Total height 2860 mm
Wall thickness of product chamber head 4 mm
Wall thickness of product chamber shell 4 mm
Wall thickness of product chamber floor 4 mm

Design

Weight approx. 1500 kg
Insulation No
Insulated area Shell and floor
Insulation cladding Fully welded stainless steel
Interior surface Smoothed
Exterior surface Smoothed
Floor type Conical bottom
Head design Torispherical bottom
Product chamber operating pressure Atmospheric/unpressurised
Product chamber operating temperature 70 °C

Equipment

Temperature-controllable No
Temperature control area Shell and floor area
Temperature control system Half-pipe coils
Operating pressure 3,5 bar
Operating temperature 70 °C
Heating medium Water
Temperature control system/pipe chamber capacity 119 litres

Agitator

Agitator quantity 1 (piece)

Agitator position Head central

Agitator type Wall scraper

Supports

Supports Stainless steel feet

Number of feet 4 (piece)

Fixtures and fittings

Manway position In head

Nozzles/connectors in head 1xDN 50 1xDN 80 (piece)

Outlet nozzle 65

Cleaning/CIP nozzle in head

Fixtures and fittings

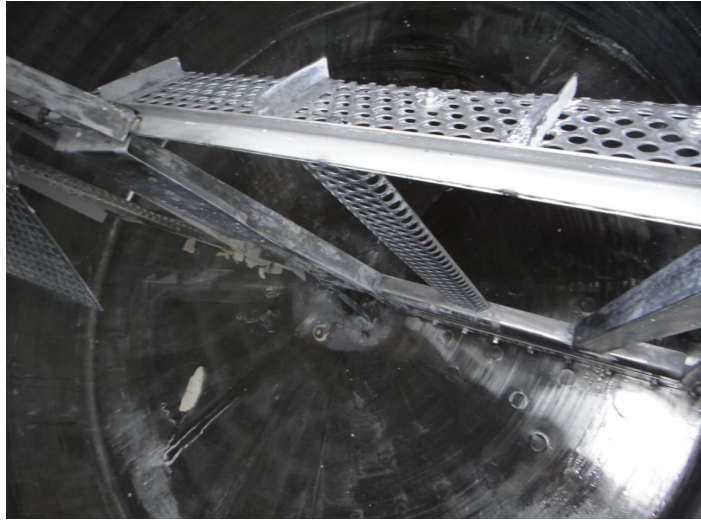
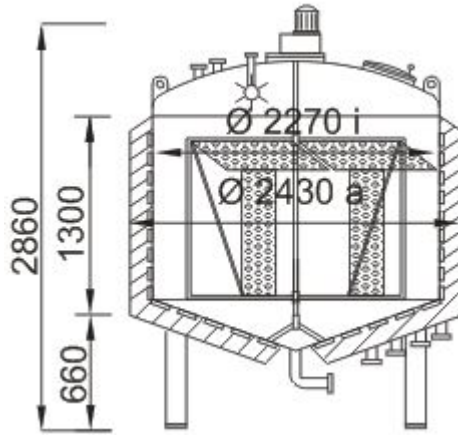
Additional fixtures and fittings

Other notices

Technical documentation None

Last usage Chemistry

Pictures



Terms and conditions

The general terms and conditions of Georg Heuer Behälterhandel und Industriebedarf GmbH apply. [View here.](#)