



Article no.: M-1358

Product data:
**Behälter 500 Liter aus V2A, gebraucht,
einwandig,
Standing**

EUR 800,00
zzgl. 19 % MwSt. excl. shipping
in stock: 2

Behälter 500 Liter aus V2A, gebraucht, einwandig consists of the material 1.4571(AISI316) V4A. The volume is approx. 500 litres.

Behälter 500 Liter aus V2A, gebraucht, einwandig was last used in the following area: Foodstuffs.

2 pieces of Behälter 500 Liter aus V2A, gebraucht, einwandig is/are currently still available. Delivery can take place worldwide.

Product description

General

Material in contact with product 1.4571(AISI316) V4A

Volume approx. 500 litres

Volume chamber 1 250 litres

Volume chamber 2 250 litres

Structure Standing

DIN design unknown

Condition Used

Dimensions approx.

External diameter 700 mm

Cyl. height 660 mm

Foot height 350 mm

Total height 1400 mm

Design

Insulation No

Interior surface Smoothed

Exterior surface Smoothed

Floor type Flat bottom with slope towards outlet

Head design Open

Product chamber operating pressure Atmospheric/unpressurised

Equipment

Temperature-controllable No

Agitator

Agitator unavailable

Supports

Supports Stainless steel feet
Number of feet 4 (piece)

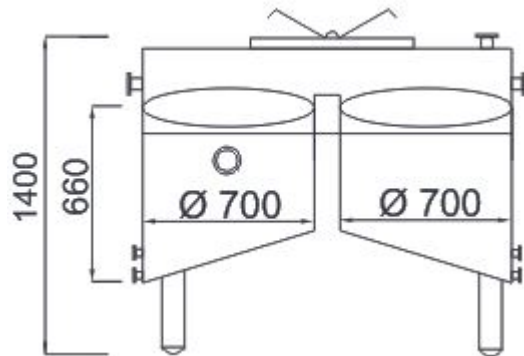
Fixtures and fittings

Nozzles/connectors in shell 1xDN 50 1xDN 80 (piece)
Outlet nozzle 65
Fixtures and fittings
Additional fixtures and fittings

Other notices

Technical documentation None
Last usage Foodstuffs

Pictures



Terms and conditions

The general terms and conditions of Georg Heuer Behälterhandel und Industriebedarf GmbH apply. [View here.](#)