



Article no.: M-1383

**Product data:**  
**Behälter 15.000 Liter aus V4A,  
gebraucht, einwandig,  
Standing**

EUR 8.200,00  
zzgl. 19 % MwSt. excl. shipping  
in stock: 1

Behälter 15.000 Liter aus V4A, gebraucht, einwandig consists of the material 1.4571(AISI316) V4A. The volume is approx. 15,000 litres.

Behälter 15.000 Liter aus V4A, gebraucht, einwandig was last used in the following area: Fine chemistry.

1 pieces of Behälter 15.000 Liter aus V4A, gebraucht, einwandig is/are currently still available. Delivery can take place worldwide.

## Product description

## General

---

**Material in contact with product** 1.4571(AISI316) V4A

**Volume approx.** 15,000 litres

**Structure** Standing

**DIN design** unknown

**Condition** Used

## Dimensions approx.

---

**External diameter** 2550 mm

**Cyl. height** 3000 mm

**Foot height** 620 mm

**Total height** 4920 mm

## Design

---

**Weight approx.** 1200 kg

**Weight per unit volume approx.** 1000 kg/m<sup>3</sup>

**Insulation** No

**Interior surface** Smoothed

**Exterior surface** Smoothed

**Floor type** Conical bottom

**Head design** Conical bottom

**Product chamber operating pressure** Atmospheric/unpressurised

## Equipment

---

**Temperature-controllable** No

## Agitator

---

**Agitator** unavailable

**Agitator position** Head central

**Agitator type** Propeller

## Supports

---

**Supports** Stainless steel feet  
**Number of feet** 4 (piece)

## Fixtures and fittings

---

**Manway position** In head  
**Nozzle connector** Flange  
**Nozzles/connectors in shell** 1x2" (piece)  
**Nozzles/connectors in head** 9xDN 50 (piece)  
**Nozzles/connectors in floor** 2xDN 50 (piece)  
**Outlet nozzle** 50  
**Fixtures and fittings**  
**Additional fixtures and fittings**

## Other notices

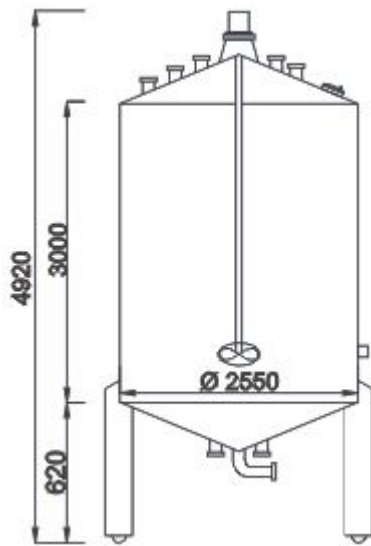
---

**Technical documentation** None

**Note** R $\frac{1}{4}$ hrwerk ohne Antrieb/Motor

**Last usage** Fine chemistry

## Pictures



# Terms and conditions

The general terms and conditions of Georg Heuer Behälterhandel und Industriebedarf GmbH apply. [View here.](#)