



Article no.: M-1276

Product data:
**Behälter 11.400 Liter aus V2A,
gebraucht, einwandig,
Standing**

EUR 6.300,00
zzgl. 19 % MwSt. excl. shipping
in stock: 1

Behälter 11.400 Liter aus V2A, gebraucht, einwandig consists of the material 1.4301(AISI304) V2A. The volume is approx. 11,400 litres.

Behälter 11.400 Liter aus V2A, gebraucht, einwandig was last used in the following area: Foodstuffs.

1 pieces of Behälter 11.400 Liter aus V2A, gebraucht, einwandig is/are currently still available. Delivery can take place worldwide.

Product description

General

Material in contact with product 1.4301(AISI304) V2A

Volume approx. 11,400 litres

Structure Standing

DIN design unknown

Condition Used

Dimensions approx.

External diameter 2200 mm

Cyl. height 2500 mm

Foot height 550 mm

Total height 3450 mm

Wall thickness of product chamber head 2,3 mm

Wall thickness of product chamber shell 2,3 mm

Wall thickness of product chamber floor 2,6 mm

Design

Weight approx. 800 kg

Weight per unit volume approx. 1000 kg/m³

Insulation No

Interior surface Smoothed

Exterior surface Smoothed

Floor type Torispherical bottom

Head design Torispherical bottom

Product chamber operating pressure Atmospheric/unpressurised

Equipment

Temperature-controllable No

Agitator

Agitator unavailable

Supports

Supports Stainless steel feet
Number of feet 4 (piece)

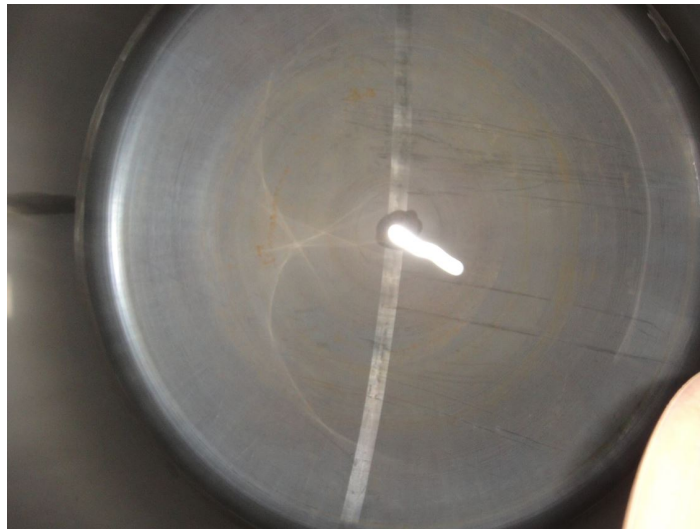
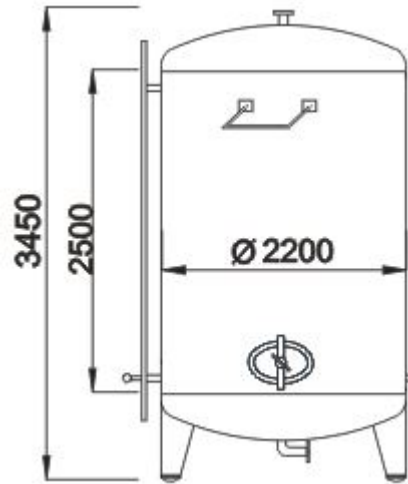
Fixtures and fittings

Manway position In shell
Nozzle connector Screw thread
Nozzles/connectors in shell 1 (piece)
Nozzles/connectors in head 1 (piece)
Outlet nozzle 65
Fixtures and fittings Fill level pipes
Additional fixtures and fittings Ladder stay, Drain port,

Other notices

Technical documentation None
Last usage Foodstuffs

Pictures





Terms and conditions

The general terms and conditions of Georg Heuer Behälterhandel und Industriebedarf GmbH apply. [View here.](#)