



Article no.: M-1232

Product data:
**Behälter 2.500 Liter aus V2A, gebraucht,
einwandig,
Standing**

EUR 3.300,00

zzgl. 19 % MwSt. excl. shipping

in stock: 1

Location: 33378 Rheda-Wiedenbrück

Behälter 2.500 Liter aus V2A, gebraucht, einwandig consists of the material 1.4301(AISI304) V2A. The volume is approx. 2,500 litres.

Behälter 2.500 Liter aus V2A, gebraucht, einwandig was last used in the following area: Foodstuffs.

1 pieces of Behälter 2.500 Liter aus V2A, gebraucht, einwandig is/are currently still available. Delivery can take place worldwide.

Product description

General

Material in contact with product 1.4301(AISI304) V2A

Volume approx. 2,500 litres

Structure Standing

DIN design unknown

Year of manufacture 1986

Condition Used

Dimensions approx.

External diameter 1450 mm

Cyl. height 1500 mm

Foot height 700 mm

Total height 2800 mm

Design

Insulation No

Interior surface Smoothed

Exterior surface Smoothed

Floor type Conical bottom

Head design Conical bottom

Product chamber operating pressure Atmospheric/unpressurised

Equipment

Temperature-controllable No

Agitator

Agitator quantity 1 (piece)

Agitator position Head central

Agitator type Spiral agitator

Note on agitator Getriebe defekt

Supports

Supports Stainless steel feet
Number of feet 3 (piece)

Fixtures and fittings

Manway position In head
Nozzles/connectors in head 2 (piece)
Outlet nozzle 65
Fixtures and fittings
Additional fixtures and fittings

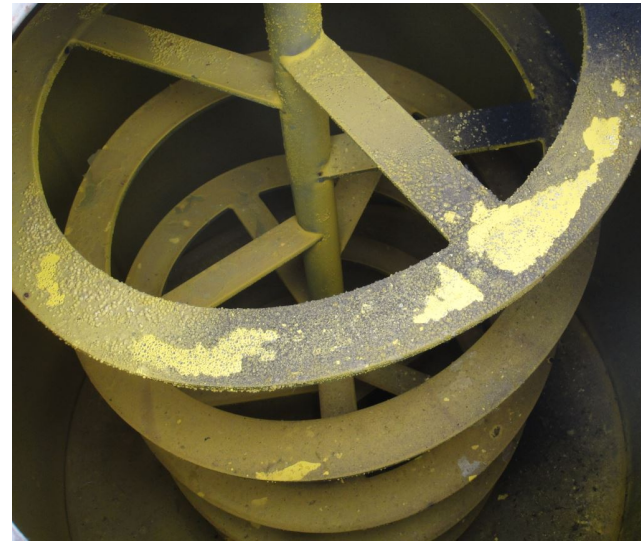
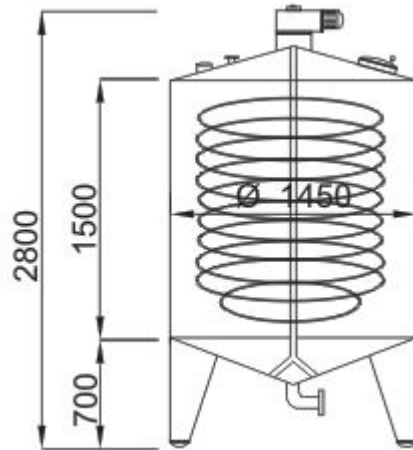
Other notices

Technical documentation None

Note RÄ¼hrwerksgetriebe defekt

Last usage Foodstuffs

Pictures



Terms and conditions

The general terms and conditions of Georg Heuer Behälterhandel und Industriebedarf GmbH apply. [View here.](#)