



Article no.: M-1180

**Product data:**  
**Behälter 250 Liter aus V2A, gebraucht,**  
**temperierbar, Bauform: stehend,**  
**Standing**

EUR 870,00  
zzgl. 19 % MwSt. excl. shipping  
in stock: 1  
Location: 33378 Rheda-Wiedenbrück

Behälter 250 Liter aus V2A, gebraucht, temperierbar, Bauform: stehend consists of the material 1.4571(AISI316) V4A. The volume is approx. 250 litres.

Behälter 250 Liter aus V2A, gebraucht, temperierbar, Bauform: stehend was last used in the following area:  
Foodstuffs.

1 pieces of Behälter 250 Liter aus V2A, gebraucht, temperierbar, Bauform: stehend is/are currently still available. Delivery can take place worldwide.

## Product description

### General

---

**Material in contact with product 1.4571(AISI316) V4A**

**Volume approx. 250 litres**

**Structure Standing**

**DIN design unknown**

**Condition Used**

## Dimensions approx.

---

**External diameter** 790 mm  
**Cyl. height** 500 mm  
**Total height** 1000 mm

## Design

---

**Insulation** No  
**Interior surface** Smoothed  
**Exterior surface** Marbled  
**Floor type** Torispherical bottom  
**Head design** Open  
**Product chamber operating pressure** Atmospheric/unpressurised

## Equipment

---

**Temperature-controllable** No  
**Temperature control area** Shell and floor area  
**Temperature control system** Double shell

## Agitator

---

**Agitator** unavailable

## Supports

---

**Supports** Frame with tilting mechanism

## Fixtures and fittings

---

**Fixtures and fittings**  
**Additional fixtures and fittings**

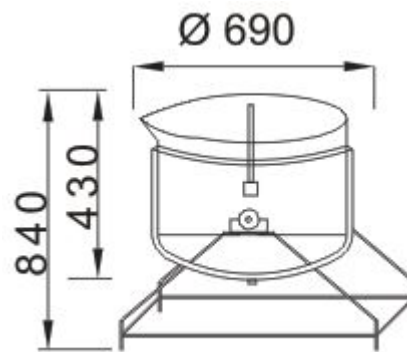
## Other notices

---

**Technical documentation** None

**Last usage** Foodstuffs

## Pictures



# Terms and conditions

The general terms and conditions of Georg Heuer Behälterhandel und Industriebedarf GmbH apply. [View here.](#)