



Article no.: M-1358

**Product data:**  
**Behälter 500 Liter aus V2A, gebraucht,  
einwandig,  
Standing**

EUR 800,00  
zzgl. 19 % MwSt. excl. shipping  
in stock: 2

Behälter 500 Liter aus V2A, gebraucht, einwandig consists of the material 1.4571(AISI316) V4A. The volume is approx. 500 litres.

Behälter 500 Liter aus V2A, gebraucht, einwandig was last used in the following area: Foodstuffs.

2 pieces of Behälter 500 Liter aus V2A, gebraucht, einwandig is/are currently still available. Delivery can take place worldwide.

## Product description

## General

---

**Material in contact with product** 1.4571(AISI316) V4A

**Volume approx.** 500 litres

**Volume chamber 1** 250 litres

**Volume chamber 2** 250 litres

**Structure** Standing

**DIN design** unknown

**Condition** Used

## Dimensions approx.

---

**External diameter** 700 mm

**Cyl. height** 660 mm

**Foot height** 350 mm

**Total height** 1400 mm

## Design

---

**Insulation** No

**Interior surface** Smoothed

**Exterior surface** Smoothed

**Floor type** Flat bottom with slope towards outlet

**Head design** Open

**Product chamber operating pressure** Atmospheric/unpressurised

## Equipment

---

**Temperature-controllable** No

## Agitator

---

**Agitator** unavailable

## Supports

---

**Supports** Stainless steel feet  
**Number of feet** 4 (piece)

## Fixtures and fittings

---

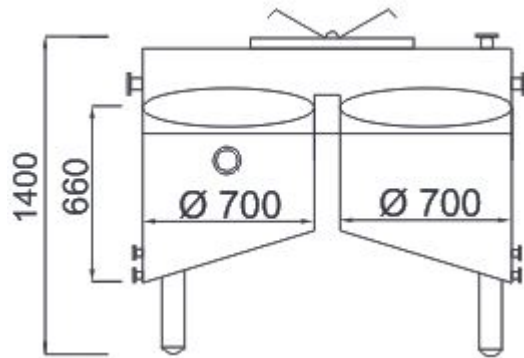
**Nozzles/connectors in shell** 1xDN 50 1xDN 80 (piece)  
**Outlet nozzle** 65  
**Fixtures and fittings**  
**Additional fixtures and fittings**

## Other notices

---

**Technical documentation** None  
**Last usage** Foodstuffs

# Pictures



# Terms and conditions

The general terms and conditions of Georg Heuer Behälterhandel und Industriebedarf GmbH apply. [View here.](#)