



Article no.: M-1404

Product data:
**Behälter 15.000 Liter aus V2A,
gebraucht, isoliert,
Standing**

EUR 9.800,00
zzgl. 19 % MwSt. excl. shipping
in stock: 1

Behälter 15.000 Liter aus V2A, gebraucht, isoliert consists of the material 1.4301(AISI304) V2A. The volume is approx. 15,000 litres. The diameter inside includes 2600 mm.

Behälter 15.000 Liter aus V2A, gebraucht, isoliert was last used in the following area: Foodstuffs.

1 pieces of Behälter 15.000 Liter aus V2A, gebraucht, isoliert is/are currently still available. Delivery can take place worldwide.

Product description

General

Material in contact with product 1.4301(AISI304) V2A

Volume approx. 15,000 litres

Structure Standing

DIN design unknown

Year of manufacture 1993

Manufacturer Holvrieka

Condition Used

Dimensions approx.

Internal diameter 2600 mm

External diameter 2720 mm

Cyl. height 3000 mm

Foot height 1900 mm

Outlet height 1390 mm

Total height 5400 mm

Design

Weight approx. 2000 kg

Insulation No

Insulated area Shell and floor

Insulation cladding Fully welded stainless steel

Interior surface Smoothed

Exterior surface Smoothed

Floor type Conical bottom

Head design Conical bottom

Product chamber operating pressure Atmospheric/unpressurised

Equipment

Temperature-controllable No

Agitator

Agitator unavailable

Supports

Supports Stainless steel feet
Number of feet 4 (piece)

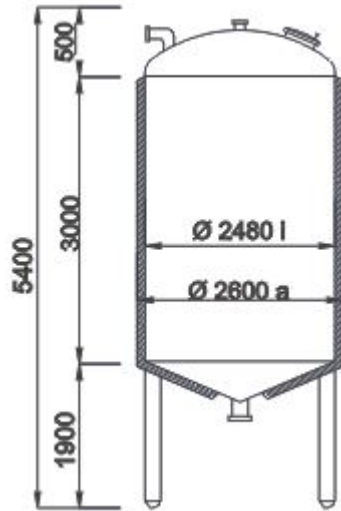
Fixtures and fittings

Manway position In head
Nozzles/connectors in head 1xDN 100 (piece)
Nozzles/connectors in floor 1xDN 80 (piece)
Cleaning/CIP nozzle in head
Fixtures and fittings
Additional fixtures and fittings Flow rectifier,

Other notices

Technical documentation None
Last usage Foodstuffs

Pictures



Terms and conditions

The general terms and conditions of Georg Heuer Behälterhandel und Industriebedarf GmbH apply. [View here.](#)