



Article no.: M-1300

Product data:
**Behälter 6.000 Liter aus V2A, gebraucht,
isoliert,
Standing**

EUR 5.100,00
zzgl. 19 % MwSt. excl. shipping
in stock: 1

Behälter 6.000 Liter aus V2A, gebraucht, isoliert consists of the material 1.4301(AISI304) V2A. The volume is approx. 6,000 litres. The diameter inside includes 2250 mm.

Behälter 6.000 Liter aus V2A, gebraucht, isoliert was last used in the following area: Foodstuffs.

1 pieces of Behälter 6.000 Liter aus V2A, gebraucht, isoliert is/are currently still available. Delivery can take place worldwide.

Product description

General

Material in contact with product 1.4301(AISI304) V2A

Volume approx. 6,000 litres

Structure Standing

DIN design unknown

Condition Used

Dimensions approx.

Internal diameter 2250 mm
External diameter 2410 mm
Cyl. height 1900 mm
Foot height 900 mm
Total height 3600 mm

Design

Weight approx. 1200 kg
Weight per unit volume approx. 1000 kg/m³
Insulation No
Insulated area Shell and floor
Insulation cladding Fully welded stainless steel
Interior surface Smoothed
Exterior surface Marbled
Floor type Conical bottom
Head design Torispherical bottom
Product chamber operating pressure Atmospheric/unpressurised

Equipment

Temperature-controllable No

Agitator

Agitator quantity 1 (piece)
Agitator position Head central
Agitator type Planetary agitator

Supports

Supports Stainless steel feet

Number of feet 4 (piece)

Fixtures and fittings

Manway position In head

Nozzles/connectors in head 2xDN 70 (piece)

Outlet nozzle 50

Cleaning/CIP nozzle in head

Fixtures and fittings

Additional fixtures and fittings

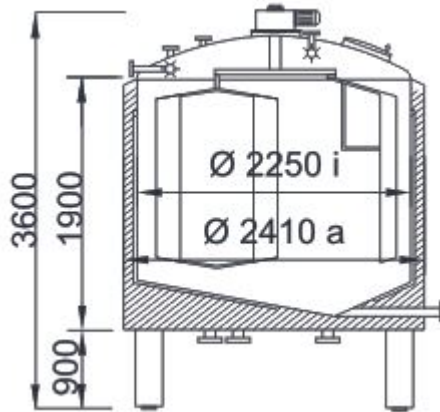
Other notices

Technical documentation None

Note KÃ¼hl-/Heizmantel vorhanden, jedoch defekt

Last usage Foodstuffs

Pictures



Terms and conditions

The general terms and conditions of Georg Heuer Behälterhandel und Industriebedarf GmbH apply. [View here.](#)