



Article no.: M-1383

Product data:
**Behälter 15.000 Liter aus V4A,
gebraucht, einwandig,
Standing**

EUR 8.200,00
zzgl. 19 % MwSt. excl. shipping
in stock: 1

Behälter 15.000 Liter aus V4A, gebraucht, einwandig consists of the material 1.4571(AISI316) V4A. The volume is approx. 15,000 litres.

Behälter 15.000 Liter aus V4A, gebraucht, einwandig was last used in the following area: Fine chemistry.

1 pieces of Behälter 15.000 Liter aus V4A, gebraucht, einwandig is/are currently still available. Delivery can take place worldwide.

Product description

General

Material in contact with product 1.4571(AISI316) V4A

Volume approx. 15,000 litres

Structure Standing

DIN design unknown

Condition Used

Dimensions approx.

External diameter 2550 mm

Cyl. height 3000 mm

Foot height 620 mm

Total height 4920 mm

Design

Weight approx. 1200 kg

Weight per unit volume approx. 1000 kg/m³

Insulation No

Interior surface Smoothed

Exterior surface Smoothed

Floor type Conical bottom

Head design Conical bottom

Product chamber operating pressure Atmospheric/unpressurised

Equipment

Temperature-controllable No

Agitator

Agitator unavailable

Agitator position Head central

Agitator type Propeller

Supports

Supports Stainless steel feet
Number of feet 4 (piece)

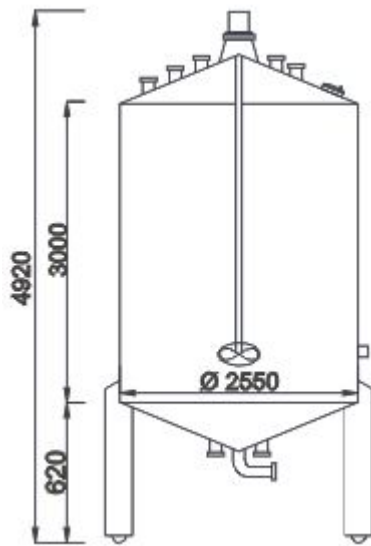
Fixtures and fittings

Manway position In head
Nozzle connector Flange
Nozzles/connectors in shell 1x2" (piece)
Nozzles/connectors in head 9xDN 50 (piece)
Nozzles/connectors in floor 2xDN 50 (piece)
Outlet nozzle 50
Fixtures and fittings
Additional fixtures and fittings

Other notices

Technical documentation None
Note R $\frac{1}{4}$ hrwerk ohne Antrieb/Motor
Last usage Fine chemistry

Pictures



Terms and conditions

The general terms and conditions of Georg Heuer Behälterhandel und Industriebedarf GmbH apply. [View here.](#)