



Article no.: M-1180

Product data:
Behälter 250 Liter aus V2A, gebraucht,
temperierbar, Bauform: stehend,
Standing

EUR 870,00
zzgl. 19 % MwSt. excl. shipping
in stock: 1
Location: 33378 Rheda-Wiedenbrück

Behälter 250 Liter aus V2A, gebraucht, temperierbar, Bauform: stehend consists of the material 1.4571(AISI316) V4A. The volume is approx. 250 litres.

Behälter 250 Liter aus V2A, gebraucht, temperierbar, Bauform: stehend was last used in the following area:
Foodstuffs.

1 pieces of Behälter 250 Liter aus V2A, gebraucht, temperierbar, Bauform: stehend is/are currently still available. Delivery can take place worldwide.

Product description

General

Material in contact with product 1.4571(AISI316) V4A

Volume approx. 250 litres

Structure Standing

DIN design unknown

Condition Used

Dimensions approx.

External diameter 790 mm

Cyl. height 500 mm

Total height 1000 mm

Design

Insulation No

Interior surface Smoothed

Exterior surface Marbled

Floor type Torispherical bottom

Head design Open

Product chamber operating pressure Atmospheric/unpressurised

Equipment

Temperature-controllable No

Temperature control area Shell and floor area

Temperature control system Double shell

Agitator

Agitator unavailable

Supports

Supports Frame with tilting mechanism

Fixtures and fittings

Fixtures and fittings

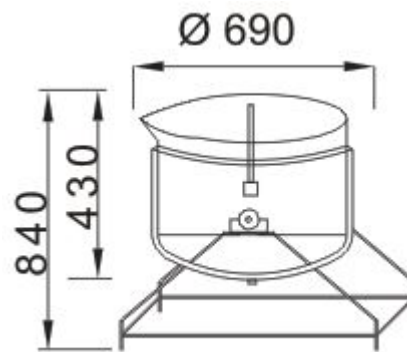
Additional fixtures and fittings

Other notices

Technical documentation None

Last usage Foodstuffs

Pictures



Terms and conditions

The general terms and conditions of Georg Heuer Behälterhandel und Industriebedarf GmbH apply. [View here.](#)