



Article no.: M-1372

Product data:
**Behälter 800 Liter aus V2A, gebraucht,
einwandig,**

EUR 900,00
zzgl. 19 % MwSt. excl. shipping
in stock: 1

Behälter 800 Liter aus V2A, gebraucht, einwandig consists of the material 1.4301(AISI304) V2A. The volume is approx. 800 litres.

Behälter 800 Liter aus V2A, gebraucht, einwandig was last used in the following area: Foodstuffs.

1 pieces of Behälter 800 Liter aus V2A, gebraucht, einwandig is/are currently still available. Delivery can take place worldwide.

Product description

General

Material in contact with product 1.4301(AISI304) V2A

Volume approx. 800 litres

Structure Horizontal

DIN design unknown

Condition Used

Dimensions approx.

External diameter 900 mm
Total height 1680 mm
Total length 1550 mm

Design

Weight approx. 200 kg
Insulation No
Interior surface Smoothed
Exterior surface Smoothed
Floor type Flat
Product chamber operating pressure Atmospheric/unpressurised

Equipment

Temperature-controllable No

Agitator

Agitator unavailable

Supports

Supports Stainless steel feet
Number of feet 4 (piece)

Fixtures and fittings

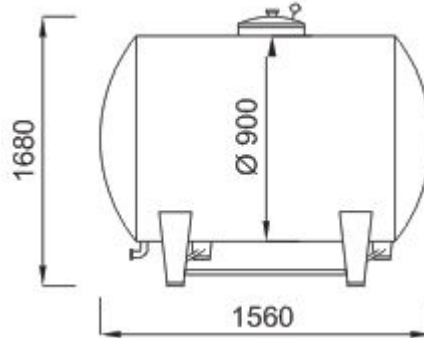
Manway position In head
Nozzles/connectors in head 1xDN 25 (piece)
Outlet nozzle 40
Fixtures and fittings
Additional fixtures and fittings

Other notices

Technical documentation None

Last usage Foodstuffs

Pictures



Terms and conditions

The general terms and conditions of Georg Heuer Behälterhandel und Industriebedarf GmbH apply. [View here.](#)